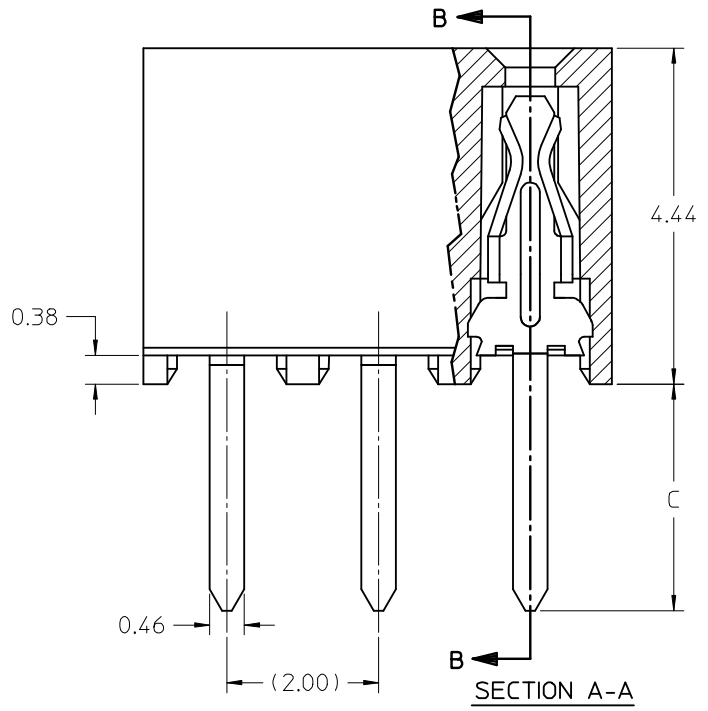


- NOTES:
- 1) HOUSING MATERIAL: GLASS FILLED HIGH TEMP THERMOPLASTIC, COLOR: BLACK
 - 2) TERMINAL MATERIAL: PHOSPHOR BRONZE
 - 3) SEE SHT 2 FOR CKT SIZE, PART NUMBERS AND OVERALL DIMENSIONS, SEE SHT 3 FOR VOIDS.
 - 4) FOR ILLUSTRATION, 6 CKT ASSY SHOWN.
 - 5) REFER TO PRODUCT SPEC PS-79107
 - 6) PACKAGING PER PK-70873-0180
 - 7) CKTS NUMBERED FROM LEFT TO RIGHT WHEN PART IS VIEWED FROM TOP WITH RECESS ON THE RIGHT AS SHOWN.
 - 8) SOLDER TAIL TO BE MEASURED BY PITCH GAUGE.

PLATING OPTION:

- 4) - 30u"/0.76um MIN GOLD PLATE IN SELECTED AREA
75u"/1.90um MIN TIN PLATE IN SELECTED AREA
BOTH OVER 50u"/1.25um MIN NICKEL OVERALL
- 5) - 15u"/0.38um MIN GOLD PLATE IN SELECTED AREA
75u"/1.90um MIN TIN PLATE IN SELECTED AREA
BOTH OVER 50u"/1.25um MIN NICKEL OVERALL
- 6) - 2u"/0.05um MIN GOLD PLATE IN SELECTED AREA
40u"/1.02um MIN TIN PLATE IN SELECTED AREA
BOTH OVER 40u"/1.02um MIN NICKEL OVERALL



PDRS#1861, ADD 791075104, 5105, 5106, 5107 EC NO: S2009-0107 DRWN:ATSEE 2008/09/03 CHKD:SKANG 2008/09/15 APPR:MLONG 2008/09/15	QUALITY SYMBOLS	GENERAL TOLERANCES (UNLESS SPECIFIED)	DIMENSION STYLE	SCALE	DESIGN UNITS	THIRD ANGLE PROJECTION
	$\nabla=0$ $\nabla C=0$	mm INCH 4 PLACES ± --- ± --- 3 PLACES ± --- ± --- 2 PLACES ± 0.25 ± --- 1 PLACE ± 0.38 ± --- ANGULAR ± 1/2°	MM ONLY	NTS	METRIC	
	DESCRIPTION	DRAWN BY	DATE	TITLE		
		AAB	1989/05/15	2MM DUAL ROW VERTICAL RECEPTACLE T/H		
		CHECKED BY	DATE	MOLEX INCORPORATED		
		APPROVED BY	DATE	SDA-79107-****		
		MATERIAL NO.	DOCUMENT NO.	SHEET NO.		
		SEE TABLE		1 OF 3		
		THIS DRAWING CONTAINS INFORMATION THAT IS PROPRIETARY TO MOLEX INCORPORATED AND SHOULD NOT BE USED WITHOUT WRITTEN PERMISSION				

F

F

E

E

D

D

C

C

B

B

A

A

CKT SIZE	DIM 'A'	DIM 'B'	P.C.TAIL DIMENSION 'C' = 3.00						P.C.TAIL DIMENSION 'C' = 1.91					
			PLATING OPTION 5		PLATING OPTION 4		PLATING OPTION 6		PLATING OPTION 5		PLATING OPTION 4		PLATING OPTION 6	
			ITEM NO.		ITEM NO.		ITEM NO.		ITEM NO.		ITEM NO.		ITEM NO.	
04	(4.19)	(2.00)	79107-7001	79107-7051	X	79107-7126	79107-7201	79107-7251	X	79107-7326				
06	(6.19)	(4.00)	79107-7002	79107-7052	X	79107-7127	79107-7202	79107-7252	X	79107-7327				
08	(8.19)	(6.00)	79107-7003	79107-7053	X	79107-7128	79107-7203	79107-7253	X	79107-7328				
10	(10.19)	(8.00)	79107-7004	79107-7054	X	79107-7129	79107-7204	79107-7254	X	79107-7329				
12	(12.19)	(10.00)	79107-7005	79107-7055		79107-7130	79107-7205	79107-7255		79107-7330				
14	(14.19)	(12.00)	79107-7006	79107-7056	X	79107-7131	79107-7206	79107-7256	X	79107-7331				
16	(16.19)	(14.00)	79107-7007	79107-7057	X	79107-7132	79107-7207	79107-7257	X	79107-7332				
18	(18.19)	(16.00)	79107-7008	79107-7058	X	79107-7133	79107-7208	79107-7258	X	79107-7333				
20	(20.19)	(18.00)	79107-7009	79107-7059	X	79107-7134	79107-7209	79107-7259	X	79107-7334				
22	(22.19)	(20.00)	79107-7010	79107-7060	X	79107-7135	79107-7210	79107-7260	X	79107-7335				
24	(24.19)	(22.00)	79107-7011	79107-7061	X	79107-7136	79107-7211	79107-7261	X	79107-7336				
26	(26.19)	(24.00)	79107-7012	79107-7062	X	79107-7137	79107-7212	79107-7262	X	79107-7337				
28	(28.19)	(26.00)	79107-7013	79107-7063	X	79107-7138	79107-7213	79107-7263	X	79107-7338				
30	(30.19)	(28.00)	79107-7014	79107-7064	X	79107-7139	79107-7214	79107-7264	X	79107-7339				
32	(32.19)	(30.00)	79107-7015	79107-7065	X	79107-7140	79107-7215	79107-7265	X	79107-7340				
34	(34.19)	(32.00)	79107-7016	79107-7066	X	79107-7141	79107-7216	79107-7266	X	79107-7341				
36	(36.19)	(34.00)	79107-7017	79107-7067	X	79107-7142	79107-7217	79107-7267	X	79107-7342				
38	(38.19)	(36.00)	79107-7018	79107-7068	X	79107-7143	79107-7218	79107-7268	X	79107-7343				
40	(40.19)	(38.00)	79107-7019	79107-7069	X	79107-7144	79107-7219	79107-7269	X	79107-7344				
42	(42.19)	(40.00)	79107-7020	79107-7070	X	79107-7145	79107-7220	79107-7270	X	79107-7345				
44	(44.19)	(42.00)	79107-7021	79107-7071	X	79107-7146	79107-7221	79107-7271	X	79107-7346				
46	(46.19)	(44.00)	79107-7022	79107-7072	X	79107-7147	79107-7222	79107-7272	X	79107-7347				
48	(48.19)	(46.00)	79107-7023	79107-7073	X	79107-7148	79107-7223	79107-7273	X	79107-7348				
50	(50.19)	(48.00)	79107-7024	79107-7074	X	79107-7149	79107-7224	79107-7274	X	79107-7349				

X - DENOTES THE ITEM IS NOT AVAILABLE CURRENTLY.

PDRS#1661, ADD 791075104, 5105, 5106, 5107 EC NO: S2009-0107 DRW:ATSEE 2008/09/03 CHKD:SKANG 2008/09/15 APPR:MLONG 2008/09/15	QUALITY SYMBOLS ▽=0 ◻=0	GENERAL TOLERANCES (UNLESS SPECIFIED)		DIMENSION STYLE MM ONLY		SCALE NTS	DESIGN UNITS METRIC	THIRD ANGLE PROJECTION			
		4 PLACES ± --- ± ---	mm INCH	DRAWN BY AAB	DATE 1989/05/15	TITLE 2MM DUAL ROW VERTICAL RECEPTACLE T/H					
		3 PLACES ± --- ± ---		CHECKED BY MJM	DATE 1989/05/15	MOLEX INCORPORATED					
		2 PLACES ± 0.25 ± --- 1 PLACE ± 0.38 ± ---		APPROVED BY WAZ	DATE 1989/05/15	MATERIAL NO. SEE TABLE		DOCUMENT NO. SDA-79107-****		SHEET NO. 2 OF 3	
DRAFT WHERE APPLICABLE MUST REMAIN WITHIN DIMENSIONS		THIS DRAWING CONTAINS INFORMATION THAT IS PROPRIETARY TO MOLEX INCORPORATED AND SHOULD NOT BE USED WITHOUT WRITTEN PERMISSION									

MOLDED VOID OPTION
ASSEMBLIES WITHOUT PEGS

CKT. SIZE	ASSEMBLY ITEM NO.	VOID LOCATION(S) SEE SHEET 1 FOR CONVENTION		PLATING OPTION	DIM. "A"	DIM. "B"	P.C. TAIL DIM. "C"
		ROW	CKT. NO.(s)				
24	79107-5101	ROW B	6	5	(24.19)	(22.00)	(3.00)
10	79107-5102	ROW A	5	5	(10.19)	(8.00)	(3.00)
26	79107-5103	ROW B	5	5	(26.19)	(24.00)	(3.00)
20	79107-5104	ROW A	7	5	(20.19)	(18.00)	(1.91)
24	79107-5105	ROW B	10	5	(24.19)	(22.00)	(1.91)
20	79107-5106	ROW A	7	5	(20.19)	(18.00)	(3.00)
24	79107-5107	ROW B	10	5	(24.19)	(22.00)	(3.00)

"X" - DENOTES THE ITEM IS NOT AVAILABLE CURRENTLY.

NOTES

1. TERMINALS WILL BE PRESENT IN VOIDED LOCATIONS HOWEVER, PIN WINDOWS WILL BE CLOSED.
2. VOIDS CANNOT BE PRESENT IN BOTH ROWS ON A CONNECTOR.

PDRS#1861, ADD 791075104, 5105, 5106, 5107 EC NO: S2009-0107 DRAWN AT SEE 2008/09/03 CHKD:SKANG 2008/09/15 APPR:MLONG 2008/09/15 REV H1	QUALITY SYMBOLS	GENERAL TOLERANCES (UNLESS SPECIFIED)		DIMENSION STYLE MM ONLY		SCALE NTS	DESIGN UNITS METRIC	THIRD ANGLE PROJECTION	
	▼=0 □=0	4 PLACES ± --- ± --- 3 PLACES ± --- ± --- 2 PLACES ± 0.25 ± --- 1 PLACE ± 0.38 ± --- ANGULAR ± 1/2°	mm INCH ± --- ± --- ± --- ± --- ± 0.25 ± --- ± 0.38 ± ---	DRAWN BY AAB CHECKED BY MJM APPROVED BY WAZ	DATE 1989/05/15 DATE 1989/05/15 DATE 1989/05/15	TITLE 2MM DUAL ROW VERTICAL RECEPTACLE T/H			
	DRAFT WHERE APPLICABLE MUST REMAIN WITHIN DIMENSIONS		SEE TABLE		MOLEX INCORPORATED SDA-79107-****				
					MATERIAL NO. DOCUMENT NO.		SHEET NO. 3 OF 3		